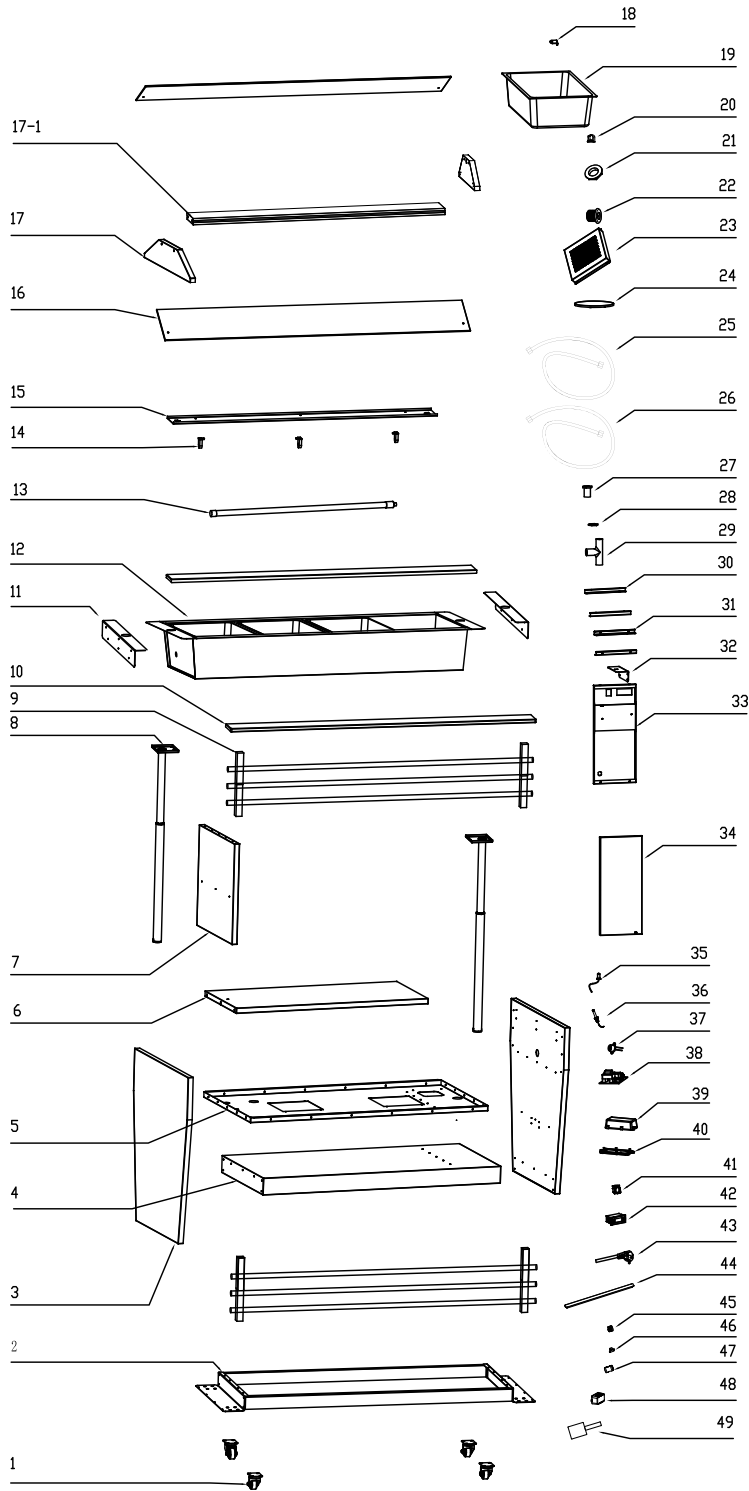


Parts Breakdown

Model DW-CN-1210 44506



Parts Breakdown

Model DW-CN-1210 44506

Item No.	Description	Position	Item No.	Description	Position	Item No.	Description	Position
60561	Rear Wheels for 44506	1	AC036	Sunshade for 44506	17	AC051	Front Panel for 44506	34
AC011	Pulley Support Assembly for 44506	2	AC037	Sunshade for 44506	17-1	AC052	Temperature Sensor for 44506	35
AC022	Left/Right Side Panel Assembly for 44506	3	AC038	Upper Hinge for 44506	18	AC053	Liquid Level Sensor for 44506	36
AC023	Bottom Panel for 44506	4	AC039	1/1 GN Pan for 44506	19	AC054	Electronic Buzzer for 44506	37
AC024	Support Board for 44506	5	60670	PPR Pipe Clamp for 44506	20	AC055	Main Circuit Board for 44506	38
AC025	Shelf Board for 44506	6	AC040	Overfall Gad Nut for 44506	21	60136	Controller Panel for 44506	39
AC026	Middle Side Board for 44506	7	AC041	Overfall Gap for 44506	22	60137	Controller Box for 44506	40
AC027	Left/Right Assembly of Air Support for 44506	8	AC042	Heat Sink of Heating Plate for 44506	23	71514	Switch for 44506	41
AC028	Folding Support Assembly for 44506	9	AC043	Heating Plate Assembly for 44506	24	AC056	Digital Controller for 44506	42
AC029	Granite Operation Floor for 44506	10	AC044	Stainless Steel Outlet Water with Hexagonal Seal Ring for 44506	25, 28	AC057	Power Line for 44506	43
AC030	Lampshade for 44506	11	AC045	Stainless Steel Outlet Water with T-Junction for 44506	26, 29	AC058	GN Pan Bracket for 44506	44
AC031	Cabinet Foaming Assembly for 44506	12	AC046	Outfall for 44506	27	AC059	Tube Stopper for 44506	45
AC032	LED Lamp for 44506	13	AC047	Front Panel Upper Crossband for 44506	30	AC060	Cover Locks for 44506	46
AC033	Lamp Holder for 44506	14	AC048	Front Panel Lower Crossband for 44506	31	AC061	Resistant Magnetic Loop for 44506	47
AC034	Lampshade for 44506	15	AC049	Fixed Plate of Air Support for 44506	32	67683	LED Transformer for 44506	48
AC035	Side Glass of Sunshade for 44506	16	AC050	Switch Panel Assembly for 44506	33	68398	Copper Connection for 44506	49